

Face & Bypass Configurations

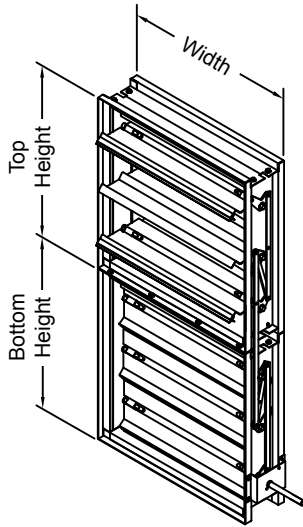
Control Damper Models: BGP, BGO, AGP, AGO, AGA, AGB

APPLICATION

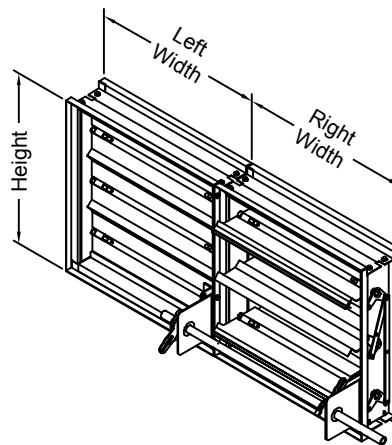
Face and Bypass dampers are connected for simultaneous blade action, causing one damper to open and one to close. The damper assemblies are FBV - Vertical, FBH - Horizontal, and FBP - Perpendicular.

NOTES

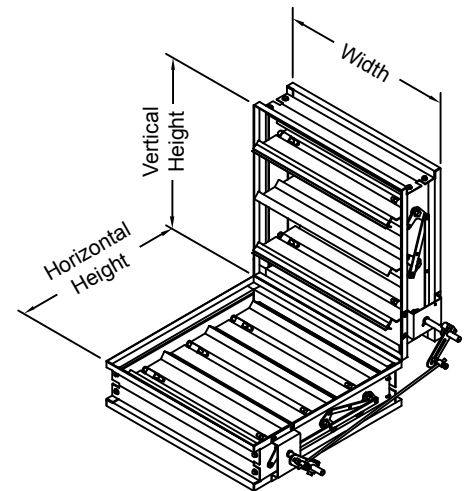
1. Unless otherwise specified overall damper assembly will be fabricated 1/4" under listed size.
2. Style FBV and FBV have extended shaft drive as standard. For multiple section wide units, jackshaftering will be required.
3. Style FBH requires jackshaft. FBH is not available for the BGP & BGO dampers.
4. The many linkage configurations cannot all be shown here. If information on exact configuration is required, consult factory. In some cases jackshaftering rotates less than 90°, motor linkage must be adjusted.
5. The section that closes when operator is de-energized must be specified on order for factory installed operators.
6. See standard submittal drawings for damper details.



FBV
Vertical



FBH
Horizontal
(As viewed from the jackshaft side.)



FBP
Perpendicular

Face & Bypass Configurations

Control Damper Models: BGP, BGO, AGP, AGO, AGA, AGB

This page is intentionally left blank.

